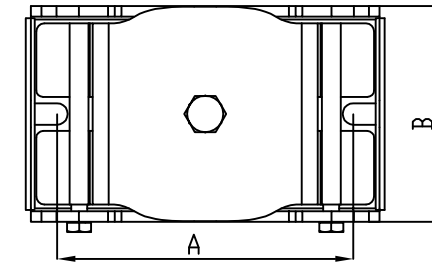
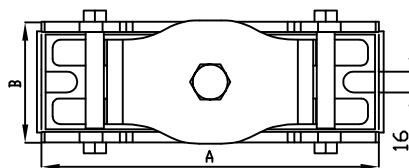
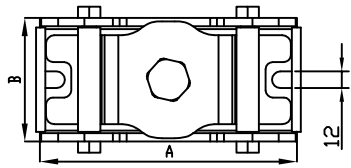
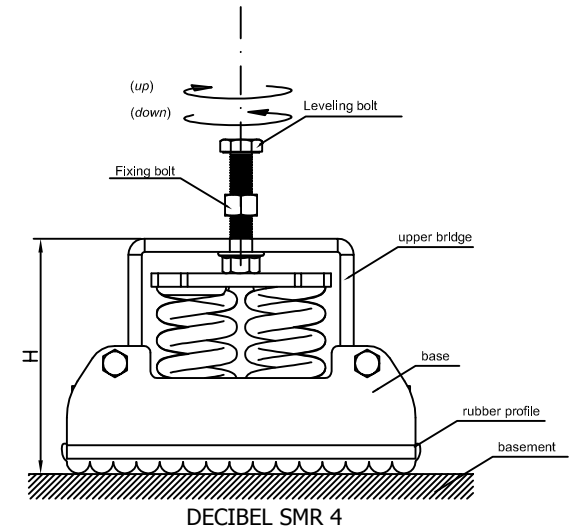
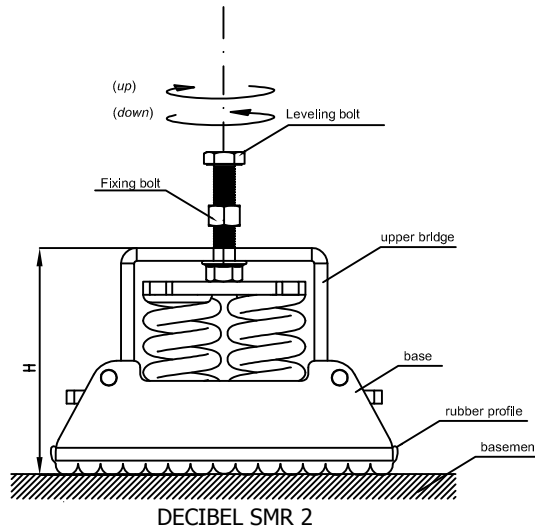
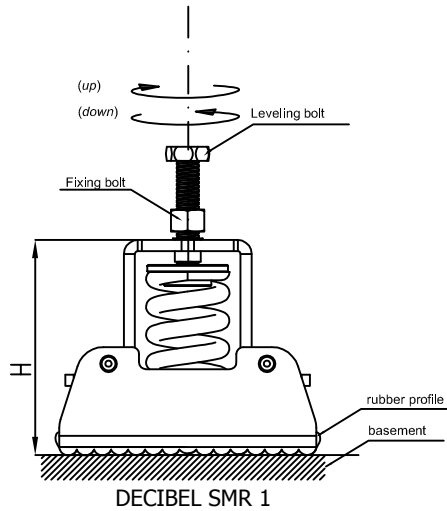
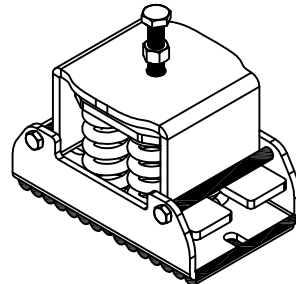
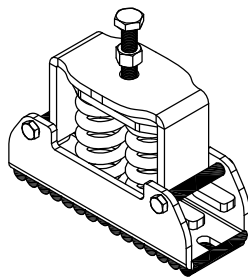
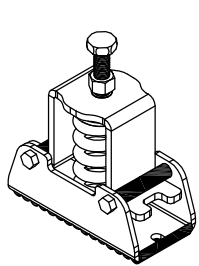


DECIBEL- SMR (Antivibration Spring Mount with Multi-Directional Restrain & Adjustable Height)

FRONT VIEW



ISOMETRIC VIEW



INSTALLATION INSTRUCTIONS

1. Locate each isolator VIBRO - SMR into position according to submittal drawing using color coded springs or labelling as Identification.
2. Lower the equipment on to the isolator trying not to overload any of the other spring isolators, due to unbalanced load.
3. Fix the bottom part of isolator to the building structural support using two appropriate bolts or anchors through its holes.
4. Screw the upper bolt through the appropriate hole of the equipment base.
5. Adjust the leveling using the upper bolt to reach the appropriate level in order to distribute the load among spring isolators. Turn the top bolt clockwise to lift the upper bridge and counterclockwise to lower the upper bridge.
6. Tighten top nut to the equipment foot bracket in order to fix it with SMR.

NOTES:

Check if you need an extra protection against earthquake or wind exitation.

SELECTION TABLE

Type	Maximum load (kp)*	Dimensions (AxBxH mm)
SMR - 250.1	250	185-90-155
SMR - 500.1	500	185-90-155
SMR - 750.1	750	185-90-155
SMR - 500.2	500	260-95-164
SMR - 1000.2	1000	260-95-164
SMR - 1500.2	1500	260-95-164
SMR - 1000.4	1000	260-162-164
SMR - 2000.4	2000	260-162-164
SMR - 3000.4	3000	260-162-164

*Other load range on request

*(1kp=10N)

Subject to change without notice

Design and Production according to Quality Assurance System which complies with **ISO 9001.2008.**

	TITLE	SCALE Do not scale print	LAST DATE REVISED	SORT CODE	DRAWING NO.
		All dimensions are in mm U.O.N.	12-2014	INST - SMR	01